

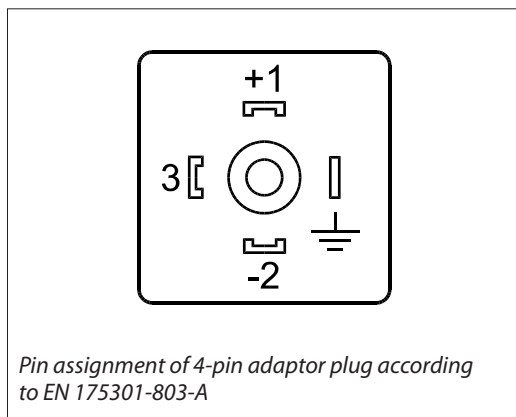
Technical data
Performance (EN 60770)

Input signal	4–20 mA (2-wire)
Max. allowed input current	40 mA
Reverse voltage protection	polarized installation
Voltage drop	approx. 3 V
Display	10 mm high LCD-display
Display range	start and end value freely programmable
Maximum display value	9999
Minimum display value	-1999
Decimal point	any position
Measuring accuracy	0.2% ± 1 digit
Temperature drift	100 ppm / °C
Measuring interval	approx. 3 measurements / sec.
Filtering	selectable in 3 stages
Nominal temperature	25 °C
Ambient temperature	0 – 50 °C
Humidity	0 – 80% RH (non condensing)
Electromagnetic compatibility additional error	according to EN61000-6-2 and EN61000-6-3 < 1%
Housing Dimensions	ABS. Front screen made of polycarbonate 48.5 x 48.5 x 35.5 mm (L x W x D)
Electrical connection	EN 175301-803-A
IP rating	IP65

Ordering

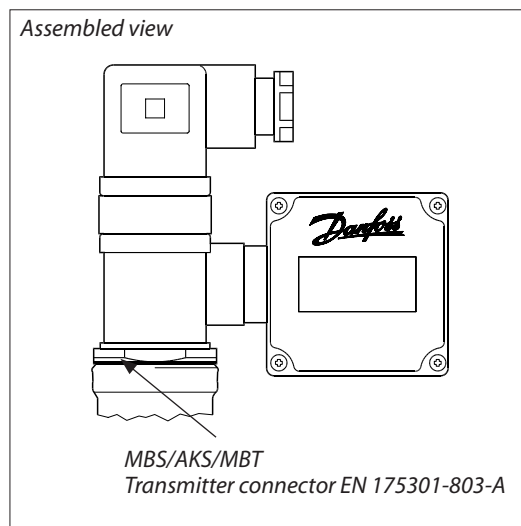
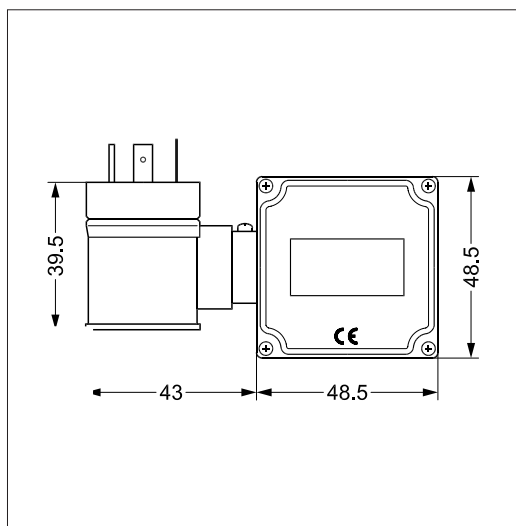
Type	Code no.
MBD 1000	060G2850

Electrical connection



Pin	
1	Supply +
2	Supply -
3	NC
⏏	Connection to transmitter housing

Dimensions



ENGINEERING
TOMORROW



Danfoss can accept no responsibility for possible errors in catalogues, brochures and other printed material. Danfoss reserves the right to alter its products without notice. This also applies to products already on order provided that such alterations can be made without subsequential changes being necessary in specifications already agreed. All trademarks in this material are property of the respective companies. Danfoss and the Danfoss logotype are trademarks of Danfoss A/S. All rights reserved.